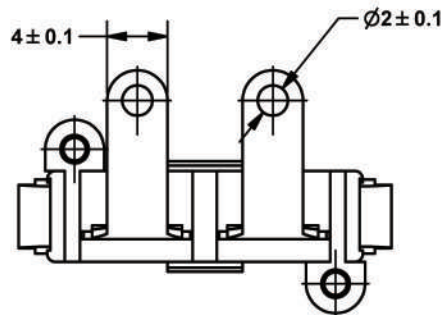
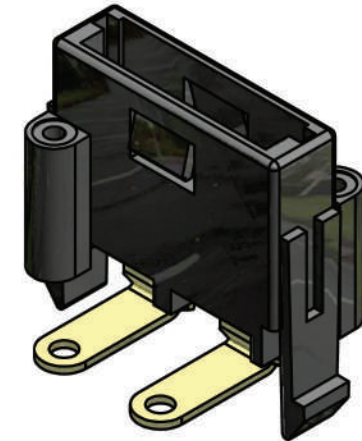
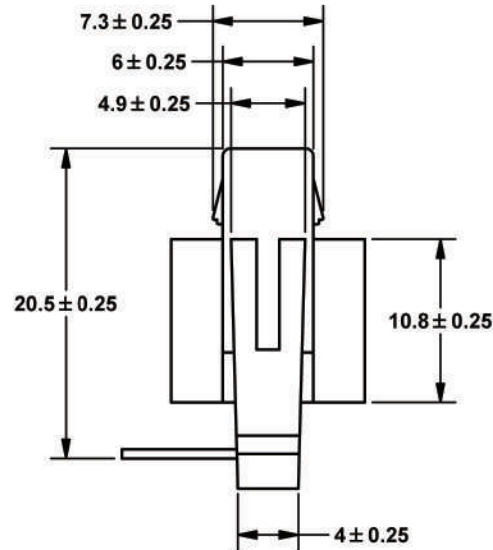
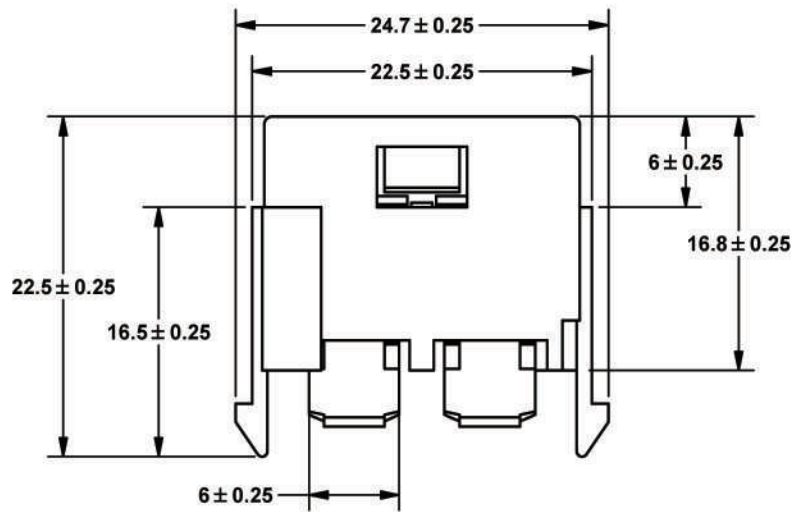




IN-LINE FUSEHOLDE FOR ATU FUSE
SPECIFICATIONS:
 Electrical:Max. 30A 32V
 Insulating Boby:Nylon with Glass Fiber
 Contacts:0.6mm Brass tin plated



| | | |
|---|------------------------|--------------------------------------|
| UNLESS OTHERWISE SPECIFIED DIMENSIONS ARE IN MM TOLERANCE DECIMALS ANGULAR X± 0.5 ± 2° XX± 0.25 DO NOT SCALE DRAWING | CUSTOMER NO. | DONGGUAN TIANRUJ ELECTRONIC CO., LTD |
| | DRAWN BY | TITLE |
|   | CHECKED BY | FUSE HOLDER |
| P/N | APPROVED BY | PART NO. SL-703FL |
| REV 1.0 | DATE 2006/11/14 | DRAWING NO. BA04102901 |
| | SCALE | |